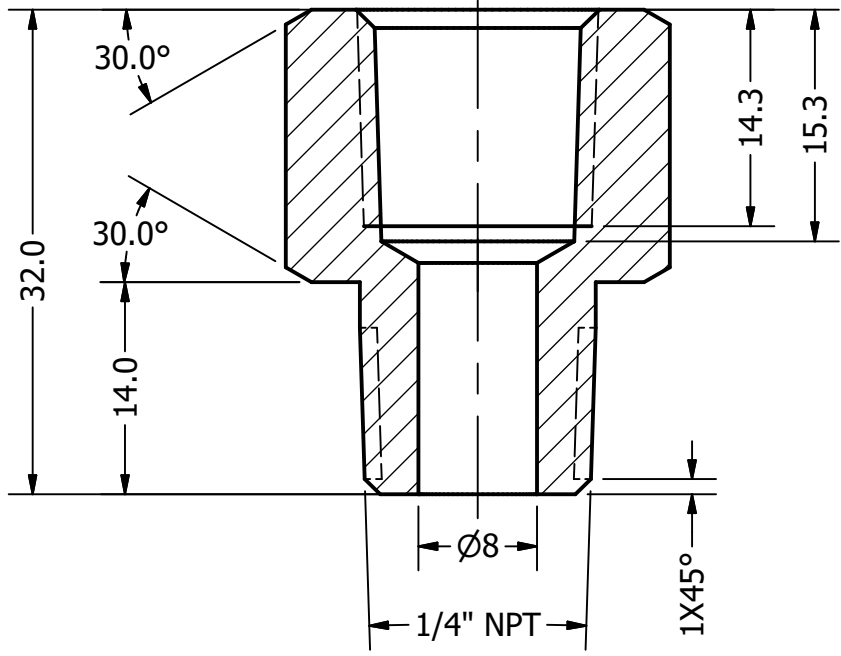
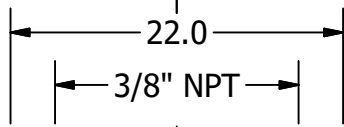
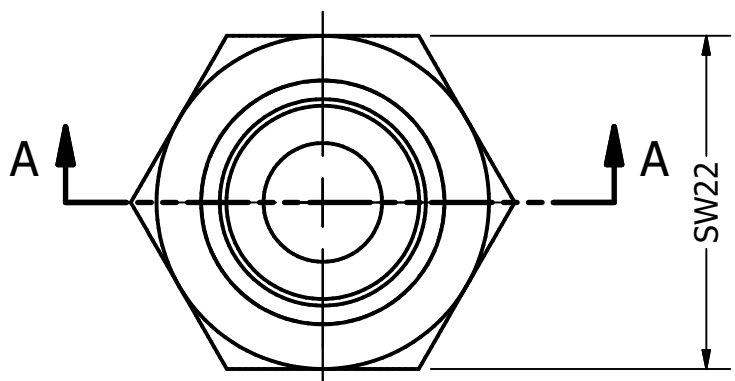
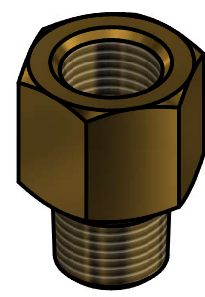


2

1




SECTION A-A
SCALE 2 : 1



NOTES:

- Free of burrs and swarfs
- No particles (greater than 0.2mm)
- No Sharp Edges

PART NUMBER				DIMENSIONING AND TOLERANCING PER ASME Y14.5M-1994		ALL DIMENSIONS [mm.]		SCALE: 2 : 1		MAT: Brass	
901236											
				DEPT	DATE	NAME		 H.T.L perma USA, L.P. 2129 Center Park Road Charlotte, NC 28217 (704) 377-3100			
			A.E.	7.20.2018	K. Brooks						
				PROJECT				DESCRIPTION:			
				Accessories				Reducer 1/4" NPT-M x 3/8" NPT-F			
								1 A			
STATUS	REVISION	DATE	NAME	PREV DWG NUM:				DWG NUM: AX_RED_236_A			

2

1

