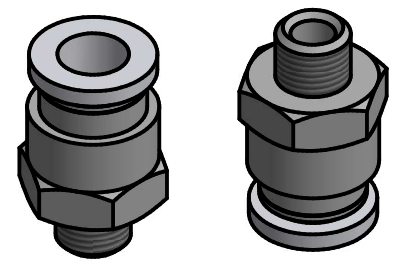
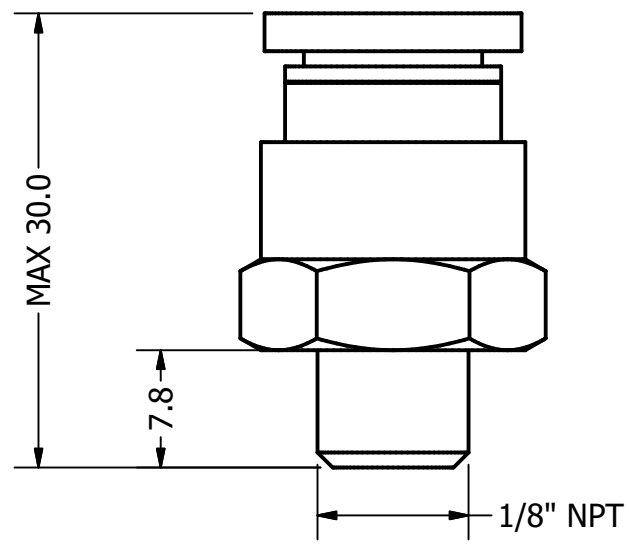
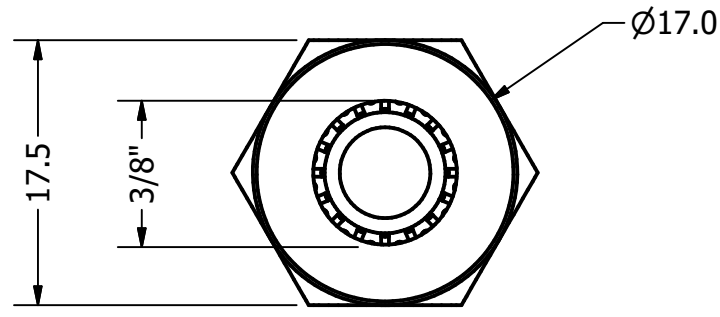



2 1



- NOTES:**
- Free of burrs and swarfs
 - No particles (greater than 0.2mm)
 - No Sharp Edges

PART NUMBER				DIMENSIONING AND TOLERANCING PER ASME Y14.5M-1994		ALL DIMENSIONS [mm.]		SCALE: 2 : 1		MAT: Nickel-Plated / Plastic	
901173											
				DEPT	DATE	NAME		 H.T.L perma USA, L.P. 2129 Center Park Road Charlotte, NC 28217 (704) 377-3100			
				A.E.	7.6.2018	K. Brooks					
				PROJECT				DESCRIPTION:			
				Accessories				Tube Connector 3/8" oD x 1/8" NPT-M			
								1 A			
STATUS	REVISION	DATE	NAME	PREV DWG NUM:				DWG NUM: AX_HTC_173_A			

2 1