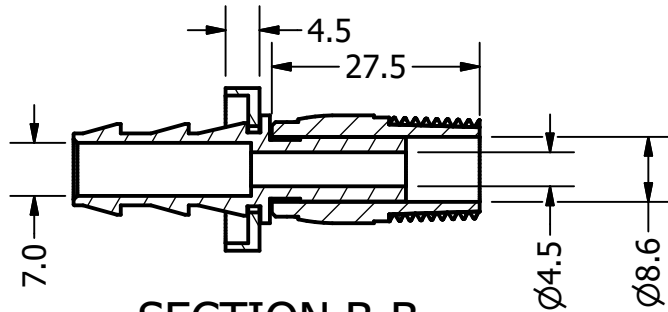
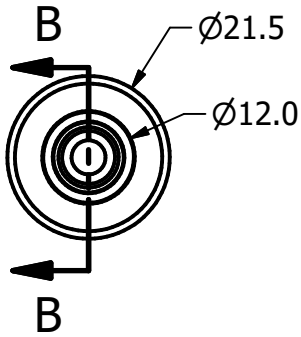
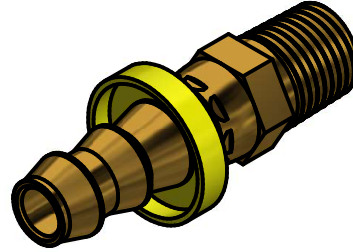
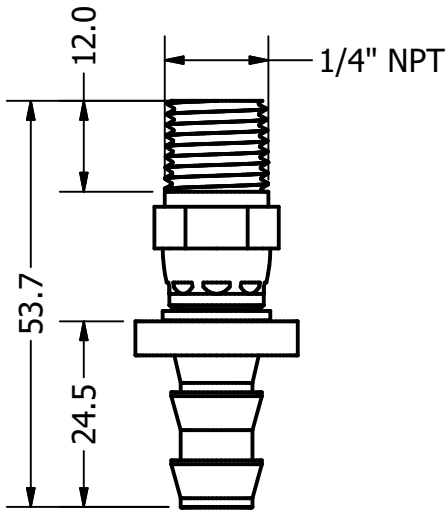


2


1



SECTION B-B  
SCALE 1 : 1

**NOTES:**

- Free of burrs and swarfs
- No particles (greater than 0.2mm)
- No Sharp Edges

PART NUMBER		DIMENSIONING AND TOLERANCING PER ASME Y14.5M-1994		ALL DIMENSIONS [mm.]	SCALE: 1 : 1	MAT: Brass / Plastic
901007						
		DEPT	DATE	NAME	 H.T.L perma USA, L.P. 2129 Center Park Road Charlotte, NC 28217 (704) 377-3100	
		A.E.	6.21.2018	K. Brooks		
		PROJECT			DESCRIPTION:	<div style="font-size: 2em; font-weight: bold;">1</div> <div style="font-size: 2em; font-weight: bold;">A</div>
		Accessories			Hose connector 1/4" NPT-M for hose iØ 3/8" - push-on	
STATUS	REVISION	DATE	NAME	PREV DWG NUM:	DWG NUM: AX_HTC_007_A	

2

1

