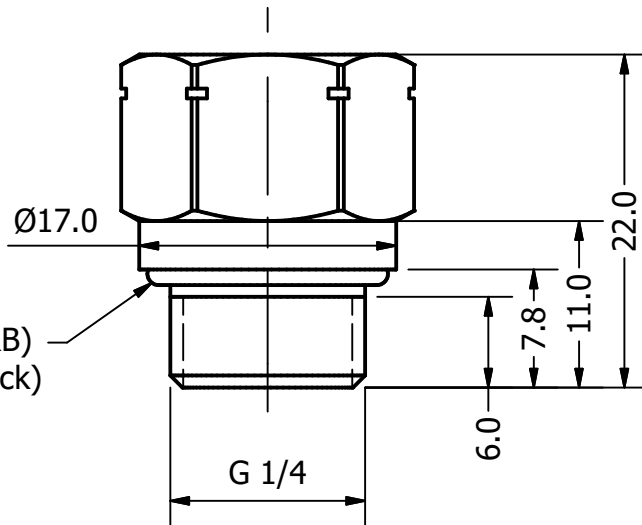
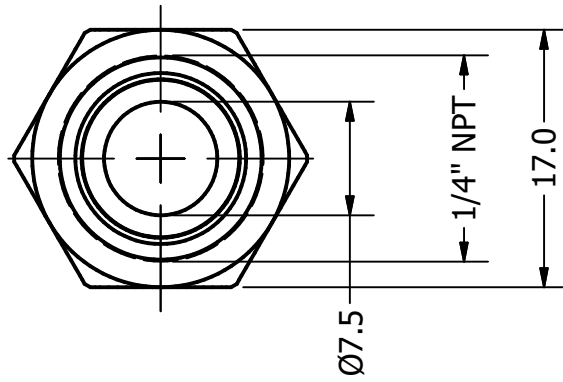


2

1

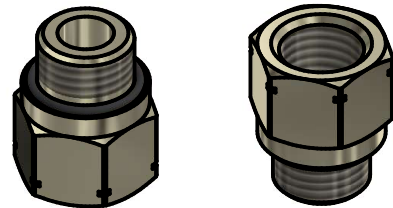



Rubber O-Ring Boss (ORB)
(Ø11 x 1.5 Thick)

NOTES:

- Free of burrs and swarfs
- No particles (greater than 0.2mm)
- No Sharp Edges

1 : 1



| | | | | | | | | | | | |
|-------------|----------|------|------|---|----------|----------------------|--|--|--|------------------------------|--|
| PART NUMBER | | | | DIMENSIONING AND TOLERANCING PER ASME Y14.5M-1994 | | ALL DIMENSIONS [mm.] | | SCALE: 2 : 1 | | MAT: Nickel-Plated, 12L14 CS | |
| 901000 | | | | | | | | | | | |
| | | | | DEPT | DATE | NAME | |  H.T.L perma USA, L.P. 2129 Center Park Road Charlotte, NC 28217 (704) 377-3100 | | | |
| | | | | A.E. | 2/6/2018 | K. Brooks | | | | | |
| | | | | | | | | | | | |
| | | | | | | | | | | | |
| | | | | PROJECT | | | | DESCRIPTION: | | | |
| | | | | Accessories | | | | Reducer G 1/4-M x 1/4" NPT-F | | | |
| | | | | | | | | <div style="font-size: 2em; font-weight: bold;">1</div> <div style="font-size: 3em; font-weight: bold;">A</div> | | | |
| STATUS | REVISION | DATE | NAME | PREV DWG NUM: AX_RED_000_B | | | | DWG NUM: AX_RED_000_C | | | |

2

1